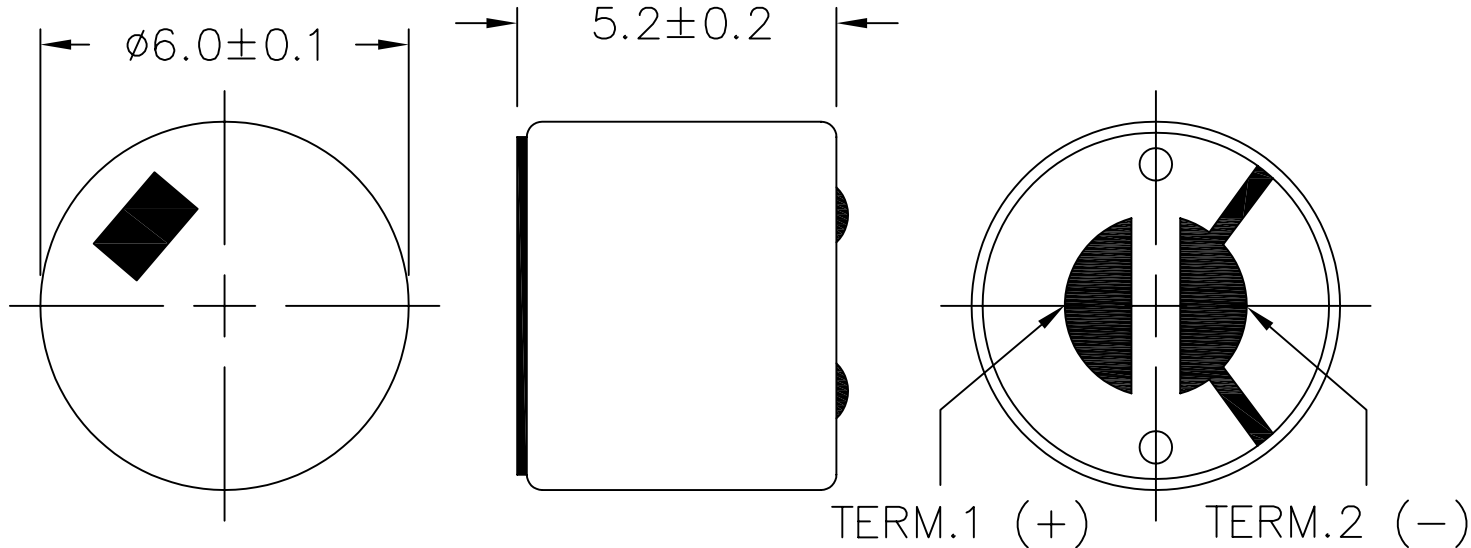
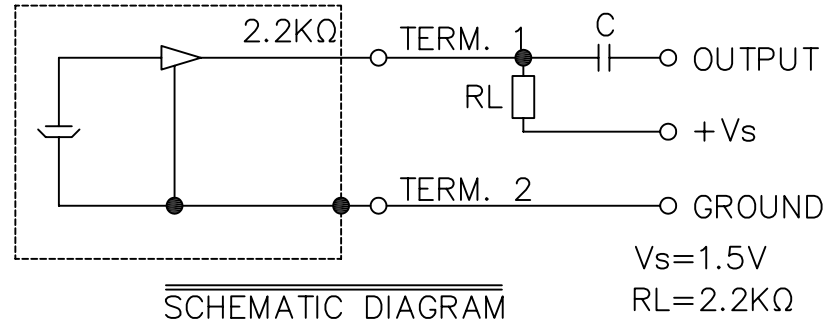


THIS DOCUMENT CONTAINS DATA PROPRIETARY TO PROJECTS UNLIMITED, INC. ANY USE OR REPRODUCTION, IN ANY FORM, WITHOUT PRIOR WRITTEN PERMISSION OF PROJECTS UNLIMITED, INC. IS PROHIBITED.
© 2005, Projects Unlimited Inc.

SPECIFICATIONS

PARAMETERS	VALUES	UNITS
DIRECTIVITY	NOISE CANCELLING	-
SENSITIVITY	-50±4	dB
STANDARD OPERATING VOLTAGE	1.5	Vdc
MAX OPERATING VOLTAGE	10	Vdc
CURRENT CONSUMPTION (MAX)	0.5	mA
IMPEDANCE	2.2	kOhm
SIGNAL TO NOISE RATIO (MIN.)	60	dB
TERMINAL	SOLDER PADS	-
INTERNAL CAPACITOR	N/A	pF

REVISIONS			
LTR	DESCRIPTION	DATE	APPROVED
-	RELEASED FROM ENGINEERING	1/30/06	
A	ADDED SCHEMATIC DIAGRAM	11/16/06	B.R.
B	ADDED TERMINAL POLARITY	2/1/07	D.F.



NOTES:

1. ALL DIMENSIONS ARE IN MILLIMETERS.
2. SPECIFICATION SUBJECT TO CHANGE OR WITHDRAWAL WITHOUT NOTICE.
3. THIS PART IS RoHS 2002/95/EC COMPLIANT.

FILE NAME
PNM-5250L-R.DWG

UNLESS OTHERWISE SPECIFIED:
DIMENSIONS ARE IN
MILLIMETERS, TOLERANCES ARE ±0.5 AND
ANGLES ARE ±3°.



Dayton, Ohio

MICROPHONE

APPROVALS	DATE
DRAWN J.A.F.	01/06
CHECKED E.P.	01/06
APPROVED B.R.	01/06

SIZE
A

DRAWING NO.
PNM-5250L-R

DO NOT SCALE DRAWING

SCALE: N.T.S.

SHEET 1 OF 1